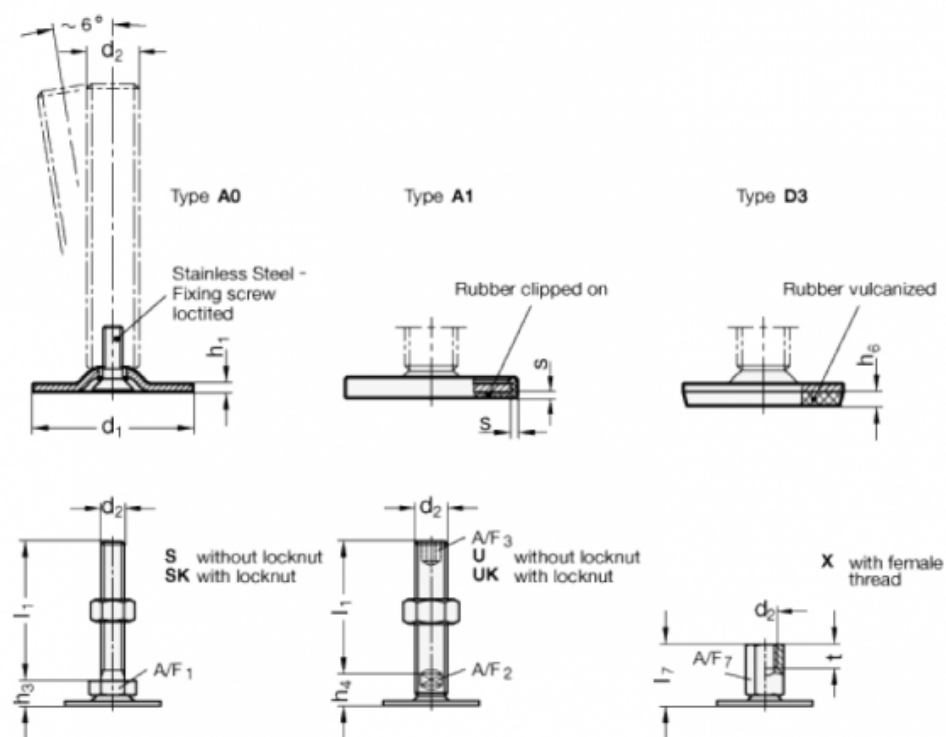


Article number: 204040M825A1X

Description: E+G levelling foot  
GN 40-40-M8-25-A1-X

Note: X With female thread, External hexagon

## Measures



A/F7	= 14
d1	= 40
d2	= M8
h1	= 2
h6	=
h7	= 25
s	= 1.5
t	= 8